



Contactor, 4p+1N/O, 45A/AC1

Part no. **DILMP45-10(*V50HZ)**
 Catalog No. **109816**
 Eaton Catalog No. **-**



Delivery program

| | | | |
|---|----------------|---|--|
| Product range | | | Contactors |
| Application | | | Contactors for 4 pole electric consumers |
| Subrange | | | Contactors up to 200 A, 4 pole |
| Utilization category | | | AC-1: Non-inductive or slightly inductive loads, resistance furnaces NAC-3: Normal AC induction motors: starting, switch off during running |
| Connection technique | | | Screw terminals |
| Number of poles | | | 4 pole |
| Rated operational current | | | |
| AC-1 | | | |
| Conventional free air thermal current, 3 pole, 50 - 60 Hz | | | |
| at 40 °C | $I_{th} = I_e$ | A | 45 |
| at 50 °C | $I_{th} = I_e$ | A | 41 |
| at 55 °C | $I_{th} = I_e$ | A | 40 |
| at 60 °C | $I_{th} = I_e$ | A | 39 |
| Contact sequence | | | |
| For use with | | | DILM32-XHI(C)... DILA-XHI(V)(C)... |
| Actuating voltage | | | *V 50 Hz |
| Voltage AC/DC | | | AC operation |
| Instructions | | | Contacts to EN 50 012. |

Technical data

| | | | |
|---|--------------|---------------|---|
| General | | | |
| Standards | | | IEC/EN 60947, VDE 0660, UL, CSA |
| Lifespan, mechanical | | | |
| AC operated | Operations | $\times 10^6$ | 10 |
| DC operated | Operations | $\times 10^6$ | 10 |
| Operating frequency, mechanical | | | |
| AC operated | Operations/h | | 5000 |
| DC operated | Operations/h | | 5000 |
| Climatic proofing | | | Damp heat, constant, to IEC 60068-2-3 Damp heat, cyclic, to IEC 60068-2-30 |
| Ambient temperature | | | |
| Open | | °C | -25 - +60 |
| Enclosed | | °C | - 25 - 40 |
| Storage | | °C | - 40 - 80 |
| Mounting position | | | |
| Mounting position | | | |
| Mechanical shock resistance (IEC/EN 60068-2-27) | | | |
| Half-sinusoidal shock, 10 ms | | | |

| | | | |
|---|--|-----------------|--------------------------------------|
| Main contacts | | | |
| N/O contact | | g | 10 |
| Auxiliary contacts | | | |
| N/O contact | | g | 7 |
| N/C contact | | g | 5 |
| Degree of Protection | | | IP00 |
| Protection against direct contact when actuated from front (EN 50274) | | | Finger and back-of-hand proof |
| Stripping length | | mm | 10 |
| Terminal capacity main cable | | | |
| Solid | | mm ² | 1 x (0.75 - 16) 2 x (0.75 - 10) |
| Flexible with ferrule | | mm ² | 1 x (0.75 - 16) 2 x (0.75 - 10) |
| Stranded | | mm ² | 1 x 16 |
| Solid or stranded | | AWG | 18 - 6 |
| Terminal screw | | | M5 |
| Tightening torque | | Nm | 3 |
| Stripping length | | mm | 10 |
| Terminal capacity control circuit cables | | | |
| Solid | | mm ² | 1 x (0.75 - 4) 2 x (0.75 - 2.5) |
| Flexible with ferrule | | mm ² | 1 x (0.75 - 2.5) 2 x (0.75 - 2.5) |
| Solid or stranded | | AWG | 18 - 14 |
| Stripping length | | mm | 10 |
| Terminal screw | | | M3.5 |
| Tightening torque | | Nm | 1.2 |
| Tool | | | |
| Main cable | | | |
| Pozidriv screwdriver | | Size | 2 |
| Standard screwdriver | | mm | 0.8 x 5.5 1 x 6 |
| Control circuit cables | | | |
| Pozidriv screwdriver | | Size | 2 |
| Standard screwdriver | | mm | 0.8 x 5.5 1 x 6 |

Main conducting paths

| | | | |
|--|------------------|------|----------------------------------|
| Rated impulse withstand voltage | U _{imp} | V AC | 8000 |
| Overvoltage category/pollution degree | | | III/3 |
| Rated insulation voltage | U _i | V AC | 690 |
| Rated operational voltage | U _e | V AC | 690 |
| Safe isolation to EN 61140 | | | |
| between coil and contacts | | V AC | 440 |
| between the contacts | | V AC | 440 |
| Making capacity (cos φ) | Up to 690 V | A | 350 According to IEC/EN 60947 |
| Breaking capacity | | | |
| 220 V 230 V | | A | 250 |
| 380 V 400 V | | A | 250 |
| 500 V | | A | 250 |
| 660 V 690 V | | A | 144 |
| Short-circuit rating | | | |
| Short-circuit protection maximum fuse | | | |
| Type "2" coordination | | | |
| 400 V | gG/gL 500 V | A | 35 |
| 690 V | gG/gL 690 V | A | 35 |
| Type "1" coordination | | | |
| 400 V | gG/gL 500 V | A | 100 |

| | | | |
|-------|-------------|---|----|
| 690 V | gG/gL 690 V | A | 50 |
|-------|-------------|---|----|

AC

| | | | |
|---|----------------|-----|------|
| AC-1 | | | |
| Rated operational current | | | |
| Conventional free air thermal current, 3 pole, 50 - 60 Hz | | | |
| Open | | | |
| at 40 °C | $I_{th} = I_e$ | A | 45 |
| at 50 °C | $I_{th} = I_e$ | A | 41 |
| at 55 °C | $I_{th} = I_e$ | A | 40 |
| at 60 °C | $I_{th} = I_e$ | A | 39 |
| enclosed | I_{th} | A | 36 |
| Conventional free air thermal current, 1 pole | | | |
| open | I_{th} | A | 117 |
| enclosed | I_{th} | A | 105 |
| Motor rating | | | |
| 220/230 V | P | kWh | |
| 240 V | P | kW | 16 |
| 380/400 V | P | kW | 18 |
| 415 V | P | kW | 28 |
| 440 V | P | kW | 31 |
| 500 V | P | kW | 33 |
| 690 V | P | kW | 37 |
| AC-3 | | | |
| Rated operational current | | | |
| Open, 3-pole: 50 – 60 Hz | | | |
| 220 V 230 V | I_e | A | 25 |
| 240 V | I_e | A | 25 |
| 380 V 400 V | I_e | A | 25 |
| 415 V | I_e | A | 25 |
| 440V | I_e | A | 25 |
| 500 V | I_e | A | 25 |
| 660 V 690 V | I_e | A | 15 |
| Motor rating | | | |
| 220 V 230 V | P | kWh | |
| 240V | P | kW | 7.5 |
| 380 V 400 V | P | kW | 8.5 |
| 415 V | P | kW | 11 |
| 440 V | P | kW | 14.5 |
| 500 V | P | kW | 15.5 |
| 660 V 690 V | P | kW | 17.5 |
| 660 V 690 V | P | kW | 14 |

DC

| | | | |
|---------------------------------|-------|---|----|
| Rated operational current, open | | | |
| DC-1 | | | |
| 60 V | I_e | A | 45 |
| 110 V | I_e | A | 45 |
| 220 V | I_e | A | 45 |

Current heat loss

| | | | |
|---------------------------|--|----|-----|
| 3 pole, at I_{th} (60°) | | W | 12 |
| Impedance per pole | | mΩ | 1.5 |

Magnet systems

| | | | |
|------------------------------|----------|---------|------------|
| Voltage tolerance | | | |
| AC operated 50 Hz | Pick-up | $x U_c$ | 0.8 - 1.1 |
| AC operated 50/60 Hz | | $x U_c$ | 0.85 - 1.1 |
| Drop-out voltage AC operated | Drop-out | $x U_c$ | 0.4 - 0.6 |

| | | | |
|--|---------|------|---------|
| Power consumption of the coil in a cold state and 1.0 x U _S | | | |
| AC operated 50/60 Hz | Pick-up | VA | 50 |
| AC operated 50/60 Hz | Pick-up | W | 40 |
| AC operated 50/60 Hz | Sealing | VA | 8 |
| AC operated 50/60 Hz | Sealing | W | 2.1 |
| Duty factor | | % DF | 100 |
| Changeover time at 100 % U _S (recommended value) | | | |
| Main contacts | | | |
| AC operated | | | |
| Closing delay | | ms | 16 - 22 |
| Opening delay | | ms | 8 - 14 |
| Permissible residual current with actuation of A1 - A2 by the electronics (with 0 signal). | | mA | ≤ 1 |

Rating data for approved types

| | | | |
|--------------------------------------|--|----|-----------------|
| Switching capacity | | | |
| Maximum motor rating | | | |
| Three-phase | | | |
| 200 V 208 V | | HP | 7.5 |
| 230 V 240 V | | HP | 10 |
| 460 V 480 V | | HP | 15 |
| 575 V 600 V | | HP | 20 |
| Single-phase | | | |
| 115 V 120 V | | HP | 2 |
| 230 V 240 V | | HP | 5 |
| General use | | A | 40 |
| Auxiliary contacts | | | |
| Pilot Duty | | | |
| AC operated | | | A600 |
| DC operated | | | P300 |
| General Use | | | |
| AC | | V | 600 |
| AC | | A | 10 |
| DC | | V | 250 |
| DC | | A | 1 |
| Short Circuit Current Rating | | | |
| Basic Rating | | | |
| SCCR | | kA | 5 |
| max. Fuse | | A | 125 |
| max. CB | | A | 125 |
| 480 V High Fault | | | |
| SCCR (fuse) | | kA | 10/100 |
| max. Fuse | | A | 125/70 Class J |
| SCCR (CB) | | kA | 10/65 |
| max. CB | | A | 50/32 |
| 600 V High Fault | | | |
| SCCR (fuse) | | kA | 10/100 |
| max. Fuse | | A | 125/100 Class J |
| SCCR (CB) | | kA | 10/22 |
| max. CB | | A | 50/32 |
| Special Purpose Ratings | | | |
| Electrical Discharge Lamps (Ballast) | | | |
| 480V 60Hz 3phase, 277V 60Hz 1phase | | A | 40 |

| | | |
|---|----|------|
| 600V 60Hz 3phase, 347V 60Hz 1phase | A | 40 |
| Incandescent Lamps (Tungsten) | | |
| 480V 60Hz 3phase, 277V 60Hz 1phase | A | 40 |
| 600V 60Hz 3phase, 347V 60Hz 1phase | A | 40 |
| Resistance Air Heating | | |
| 480V 60Hz 3phase, 277V 60Hz 1phase | A | 40 |
| 600V 60Hz 3phase, 347V 60Hz 1phase | A | 40 |
| Refrigeration Control (CSA only) | | |
| LRA 480V 60Hz 3phase | A | 240 |
| FLA 480V 60Hz 3phase | A | 40 |
| LRA 600V 60Hz 3phase | A | 180 |
| FLA 600V 60Hz 3phase | A | 30 |
| Definite Purpose Ratings (100,000 cycles acc. to UL 1995) | | |
| LRA 480V 60Hz 3phase | A | 150 |
| FLA 480V 60Hz 3phase | A | 25 |
| Elevator Control | | |
| 200V 60Hz 3phase | HP | 3 |
| 200V 60Hz 3phase | A | 11 |
| 240V 60Hz 3phase | HP | 5 |
| 240V 60Hz 3phase | A | 15.2 |
| 480V 60Hz 3phase | HP | 10 |
| 480V 60Hz 3phase | A | 14 |
| 600V 60Hz 3phase | HP | 15 |
| 600V 60Hz 3phase | A | 17 |

Design verification as per IEC/EN 61439

| | | | |
|--|------------|----|--|
| Technical data for design verification | | | |
| Rated operational current for specified heat dissipation | I_n | A | 45 |
| Heat dissipation per pole, current-dependent | P_{vid} | W | 4.4 |
| Equipment heat dissipation, current-dependent | P_{vid} | W | 13.2 |
| Static heat dissipation, non-current-dependent | P_{vs} | W | 2.1 |
| Heat dissipation capacity | P_{diss} | W | 0 |
| Operating ambient temperature min. | | °C | -25 |
| Operating ambient temperature max. | | °C | 60 |
| IEC/EN 61439 design verification | | | |
| 10.2 Strength of materials and parts | | | |
| 10.2.2 Corrosion resistance | | | Meets the product standard's requirements. |
| 10.2.3.1 Verification of thermal stability of enclosures | | | Meets the product standard's requirements. |
| 10.2.3.2 Verification of resistance of insulating materials to normal heat | | | Meets the product standard's requirements. |
| 10.2.3.3 Verification of resistance of insulating materials to abnormal heat and fire due to internal electric effects | | | Meets the product standard's requirements. |
| 10.2.4 Resistance to ultra-violet (UV) radiation | | | Meets the product standard's requirements. |
| 10.2.5 Lifting | | | Does not apply, since the entire switchgear needs to be evaluated. |
| 10.2.6 Mechanical impact | | | Does not apply, since the entire switchgear needs to be evaluated. |
| 10.2.7 Inscriptions | | | Meets the product standard's requirements. |
| 10.3 Degree of protection of ASSEMBLIES | | | Does not apply, since the entire switchgear needs to be evaluated. |
| 10.4 Clearances and creepage distances | | | Meets the product standard's requirements. |
| 10.5 Protection against electric shock | | | Does not apply, since the entire switchgear needs to be evaluated. |
| 10.6 Incorporation of switching devices and components | | | Does not apply, since the entire switchgear needs to be evaluated. |
| 10.7 Internal electrical circuits and connections | | | Is the panel builder's responsibility. |
| 10.8 Connections for external conductors | | | Is the panel builder's responsibility. |
| 10.9 Insulation properties | | | |
| 10.9.2 Power-frequency electric strength | | | Is the panel builder's responsibility. |
| 10.9.3 Impulse withstand voltage | | | Is the panel builder's responsibility. |
| 10.9.4 Testing of enclosures made of insulating material | | | Is the panel builder's responsibility. |

| | | |
|-------------------------------------|--|--|
| 10.10 Temperature rise | | The panel builder is responsible for the temperature rise calculation. Eaton will provide heat dissipation data for the devices. |
| 10.11 Short-circuit rating | | Is the panel builder's responsibility. The specifications for the switchgear must be observed. |
| 10.12 Electromagnetic compatibility | | Is the panel builder's responsibility. The specifications for the switchgear must be observed. |
| 10.13 Mechanical function | | The device meets the requirements, provided the information in the instruction leaflet (IL) is observed. |

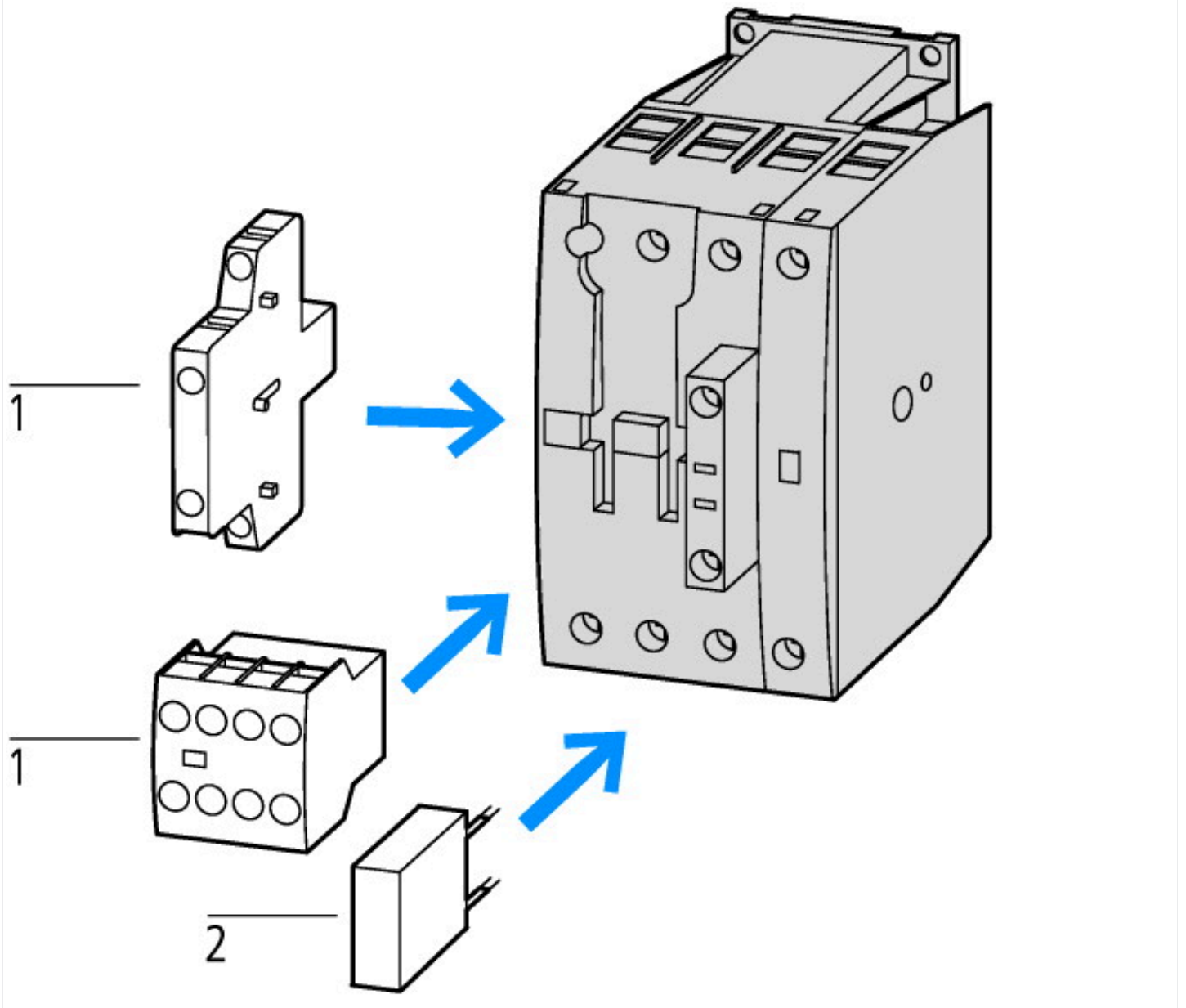
Technical data ETIM 6.0

| | | |
|--|----|------------------|
| Low-voltage industrial components (EG000017) / Power contactor, AC switching (EC000066) | | |
| Electric engineering, automation, process control engineering / Low-voltage switch technology / Contactor (LV) / Power contactor, AC switching (ecl@ss8.1-27-37-10-03 [AAB718012]) | | |
| Rated control supply voltage Us at AC 50HZ | V | 24 - 600 |
| Rated control supply voltage Us at AC 60HZ | V | 0 - 0 |
| Rated control supply voltage Us at DC | V | 0 - 0 |
| Voltage type for actuating | | AC |
| Rated operation current Ie at AC-1, 400 V | A | 45 |
| Rated operation current Ie at AC-3, 400 V | A | 25 |
| Rated operation power at AC-3, 400 V | kW | 11 |
| Rated operation current Ie at AC-4, 400 V | A | 15 |
| Rated operation power Ie at AC-4, 400 V | kW | 7 |
| Modular version | | No |
| Number of auxiliary contacts as normally open contact | | 1 |
| Number of auxiliary contacts as normally closed contact | | 0 |
| Type of electrical connection of main circuit | | Screw connection |
| Number of normally closed contacts as main contact | | 0 |
| Number of main contacts as normally open contact | | 4 |

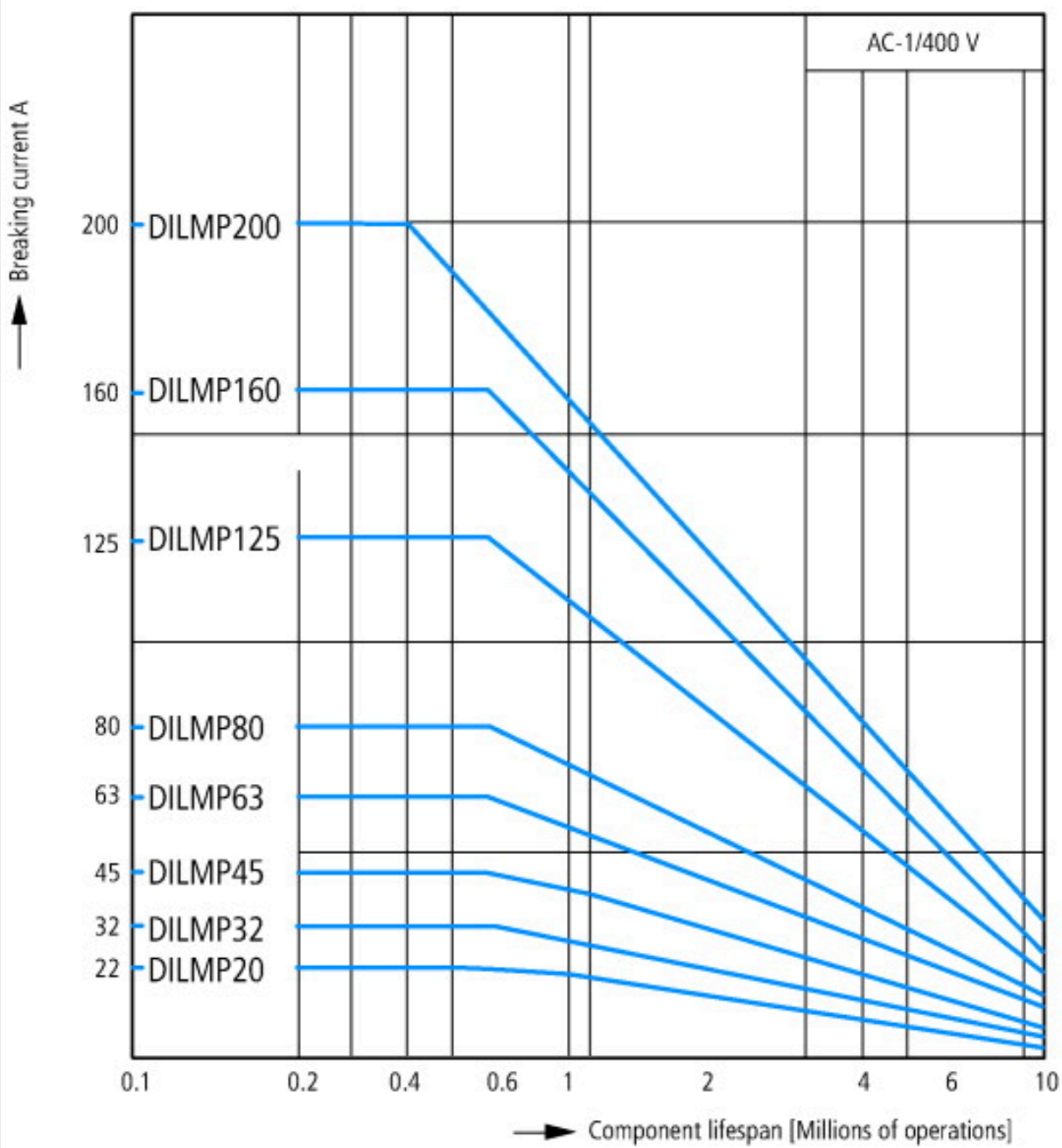
Approvals

| | | |
|--------------------------------------|--|--|
| Product Standards | | IEC/EN 60947-4-1; UL 60947-4-1; CSA - C22.2 No. 60947-4-1-14; CE marking |
| UL File No. | | E29096 |
| UL Category Control No. | | NLDX |
| CSA File No. | | 012528 |
| CSA Class No. | | 2411-03, 3211-04 |
| North America Certification | | UL listed, CSA certified |
| Specially designed for North America | | No |

Characteristics

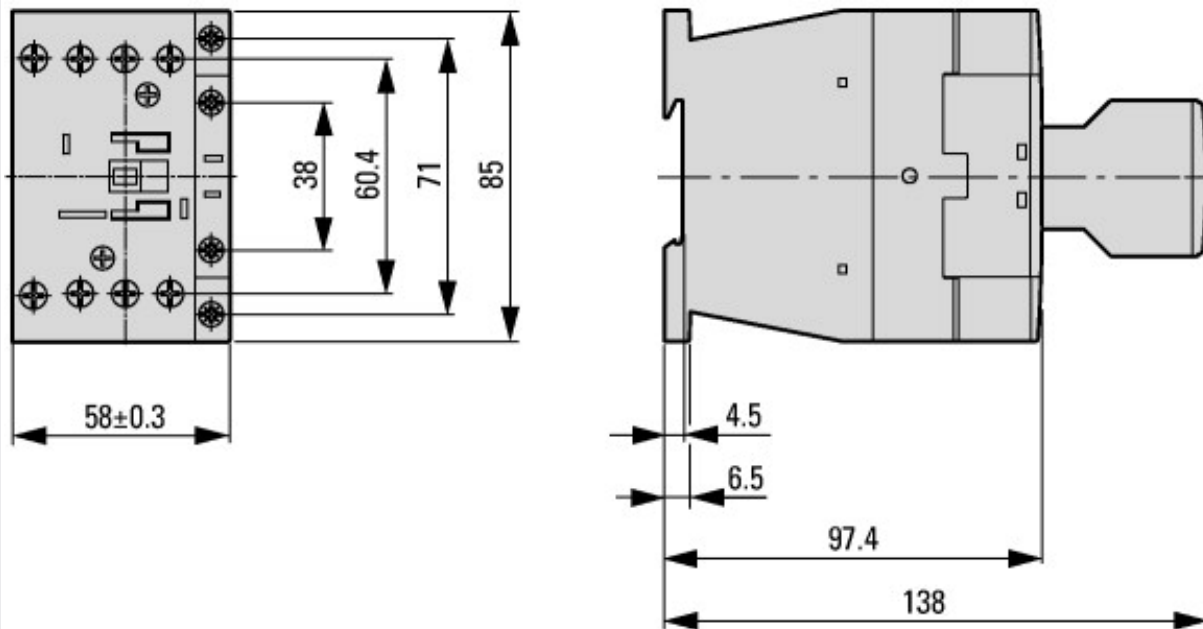


- 1: Auxiliary contact module
- 2: Suppressor



Switching conditions for 4 pole, non-motor loads
 Operating characteristics
 Non inductive and slightly inductive loads
 Electrical characteristics
 Switch on: 1 x rated operational current
 Switch off: 1 x rated operational current
 Utilization category
 100 % AC-1
 Typical examples of application
 Electric heat

Dimensions



Contacteur with auxiliary contact module



distance at side to earthed parts: 6 mm

DILMP32
DILMP45

Assets (Links)

Declaration of Conformity

00002565

Instruction Leaflets

IL03407049Z2012_01

Additional product information (links)

IL03407049Z (AWA2100-2356) 4 pole Contactor

IL03407049Z (AWA2100-2356) 4 pole Contactor ftp://ftp.moeller.net/DOCUMENTATION/AWA_INSTRUCTIONS/IL03407049Z2012_01.pdf

UL/CSA: UL/CSA: Special Purpose Rating <http://de.ecat.moeller.net/flip-cat/?edition=HPLTE&startpage=5.85>

Switchgear of Power Factor Correction Systems http://www.moeller.net/binary/ver_techpapers/ver934en.pdf

| | |
|--|---|
| X-Start - Modern Switching Installations Efficiently Fitted and Wired Securely | http://www.moeller.net/binary/ver_techpapers/ver938en.pdf |
| Mirror Contacts for Highly-Reliable Information Relating to Safety-Related Control Functions | http://www.moeller.net/binary/ver_techpapers/ver944en.pdf |
| Effect of the Cabel Capacitance of Long Control Cables on the Actuation of Contactors | http://www.moeller.net/binary/ver_techpapers/ver949en.pdf |
| Motor starters and "Special Purpose Ratings" for the North American market | http://www.moeller.net/binary/ver_techpapers/ver953en.pdf |
| Switchgear for Luminaires | http://www.moeller.net/binary/ver_techpapers/ver955en.pdf |
| Standard Compliant and Functionally Safe Engineering Design with Mechanical Auxiliary Contacts | http://www.moeller.net/binary/ver_techpapers/ver956en.pdf |
| The Interaction of Contactors with PLCs | http://www.moeller.net/binary/ver_techpapers/ver957en.pdf |
| Busbar Component Adapters for modern Industrial control panels | http://www.moeller.net/binary/ver_techpapers/ver960en.pdf |