

## FEATURES

### 1. Upgraded composite function

Specified-period measurement and total-time measurement can be monitored on a single unit.

### 2. High-performance compact sync motor

The accurately turning motor is employed to provide for longer period of measurement.

### 3. Common for 50/60 Hz power frequency

A lever is used to select 50 Hz or 60 Hz. There is no need to rearrange the control panel and other signal destinations.

### 4. Dimensions as per DIN 43700 standard

The units are in the 48 × 48 DIN standard size. They can be fitted in panels and give refined metallic appearance.

### 5. Easier wiring

The flat terminals (#187) are quick and easy to connect.

### 6. Rotary indicator

The rotary indicator makes one turn every 2 minutes for quick monitoring.

### 7. CE marking

The hour meters satisfy EMC directives (EN50081-2/ EN50082-2) and low-voltage directives (EN61010-1).

## SPECIFICATIONS

Rated operating voltage	12 V AC, 24 V AC, 48 V AC, 100 V AC, 110 V AC, 115 to 120 V AC, 200 V AC, 220 V AC, 240 V AC	
Operating voltage range	85 to 115% of rated operating voltage	
Rated frequency	50/60 Hz (selectable by switch)	
Counting range	[without reset indicator]0 to 99999.9 hours [with reset indicator]0 to 9999.9 hours	
Minimum time display	0.1 hours (6 min)	
Rated power consumption	Approx. 1.5 W	
Initial insulation resistance (At 500 V DC)	Min. 100 MΩ; Between live and dead metal parts	
Initial breakdown voltage	2,000 Vrms Between live and dead metal parts	
Max. temperature rise	55°C 131°F	
Vibration resistance	Functional	10 to 55 Hz: 1 cycle/min double amplitude of 0.5 mm (10 min on 3 axes)
Shock resistance	Functional	Min 98 m/s <sup>2</sup> {10 G} (4 times on 3 axes)
	Destructive	Min 980 m/s <sup>2</sup> {100 G} (5 times on 3 axes)
Ambient temperature	-10 to +50°C +14 to +122°F	
Ambient humidity	Max. 85% RH	
Weight	160 g 5.64 oz	

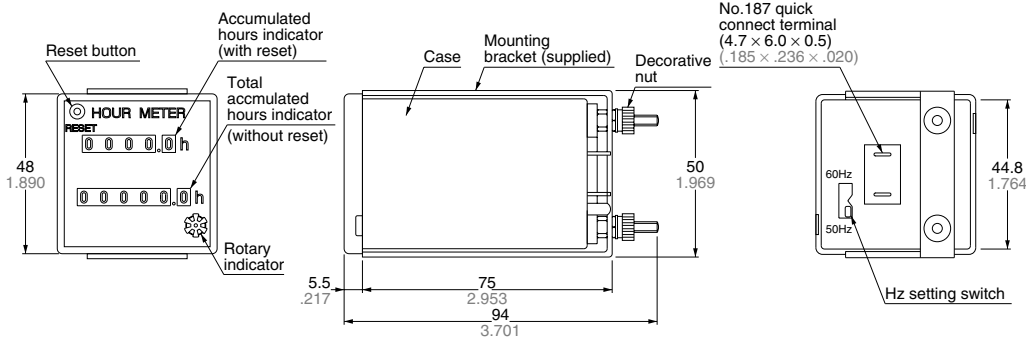
## PRODUCT TYPE

Type	Rated operating voltage	Part No.		Rated operating voltage	Part No.		Rated operating voltage	Part No.	
		Silver panel	Black panel		Silver panel	Black panel		Silver panel	Black panel
TH40 series	100V AC	TH401S	TH401	24V AC	TH404S	TH404	115 to 120V AC	TH407S	TH407
	200V AC	TH402S	TH402	48V AC	TH405S	TH405	220V AC	TH408S	TH408
	12V AC	TH403S	TH403	110V AC	TH406S	TH406	240V AC	TH409S	TH409

Note: If you want the CE marking on your products, specify "CE" at the end of the part No. when ordering.

**DIMENSIONS**

General tolerance:  $\pm 1.0 \pm .039$  mm inch



**WIRING DIAGRAM**

**Panel mounting**

mm inch

• Panel cutout

