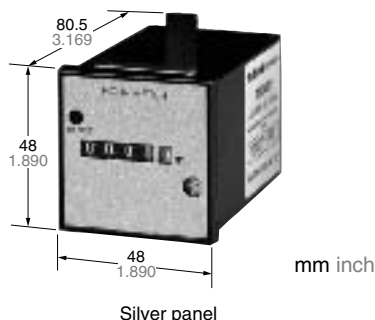


Panasonic
ideas for life

**DIN48 MINUTES INDICATOR
HOUR METER**

TH50



Black panel

FEATURES

1. Measurement and management in units of minutes

Unlike conventional hour meters, the time can be measured and managed in minutes.

2. Reset button

The hour meters can be reset to zero for repeated measurement.

3. High-performance compact sync motor

The accurately turning motor is employed to provide for longer period of measurement.

4. Common for 50/60 Hz power frequency

A lever is used to select 50 Hz or 60 Hz. There is no need to rearrange the control panel and other signal destinations.

5. Dimensions as per DIN 43700 standard

The units are in the 48 × 48 DIN standard size. They can be fitted in panels and give refined metallic appearance.

6. Easier wiring

The flat terminals (#187) are quick and easy to connect.

7. Rotary indicator

The rotary indicator makes one turn every 2 minutes for quick monitoring.

8. CE marking

The hour meters satisfy EMC directives (EN50081-2/EN50082-2) and low-voltage directives (EN61010-1).

SPECIFICATION

Rated operating voltage	12 V AC, 24 V AC, 48 V AC, 100 V AC, 110 V AC, 115 to 120 V AC, 200 V AC, 220 V AC, 240 V AC	
Operating voltage range	85 to 115% of rated operating voltage	
Rated frequency	50/60 Hz (selectable by switch)	
Counting range	0 to 9999.9 min	
Minimum time display	0.1 min (6 sec)	
Rated power consumption	Approx. 1.5 W	
Initial insulation resistance (At 500 V DC)	Min. 100 MΩ Between live and dead metal parts	
Initial breakdown voltage	2,000 Vrms Between live and dead metal parts	
Max. temperature rise	55°C 131°F	
Vibration resistance	Functional	10 to 55 Hz: 1 cycle/min double amplitude of 0.5 mm (10 min on 3 axes)
Shock resistance	Functional	Min 98 m/s ² {10 G} (4 times on 3 axes)
	Destructive	Min 980 m/s ² {100 G} (5 times on 3 axes)
Ambient temperature	-10 to +50°C +14 to +122°F	
Ambient humidity	Max. 85% RH	
Weight	150 g 5.29 oz	

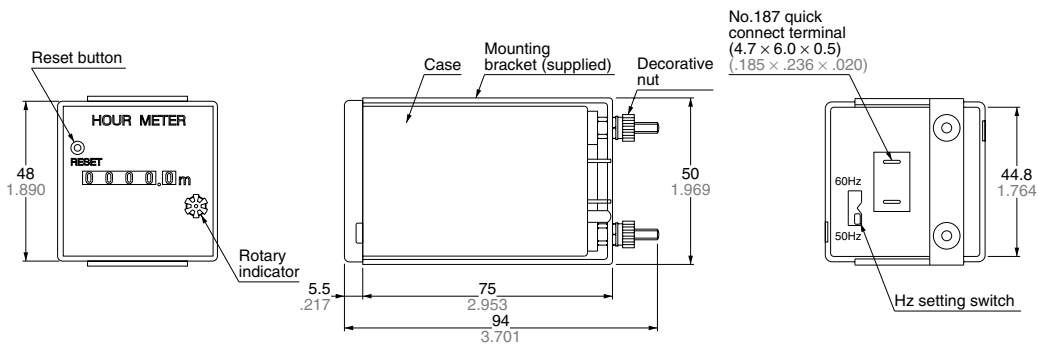
PRODUCT TYPE

Type	Rated operating voltage	Part No.		Rated operating voltage	Part No.		Rated operating voltage	Part No.	
		Silver panel	Black panel		Silver panel	Black panel		Silver panel	Black panel
TH50 series	100V AC	TH501S	TH501	24V AC	TH504S	TH504	115 to 120V AC	TH507S	TH507
	200V AC	TH502S	TH502	48V AC	TH505S	TH505	220V AC	TH508S	TH508
	12V AC	TH503S	TH503	110V AC	TH506S	TH506	240V AC	TH509S	TH509

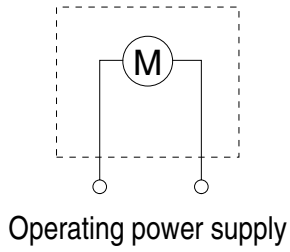
Note: For CE-marked products, specify "CE" at the end of the part No. when ordering.

DIMENSIONS

General tolerance: $\pm 1.0 \pm .039$ mm inch

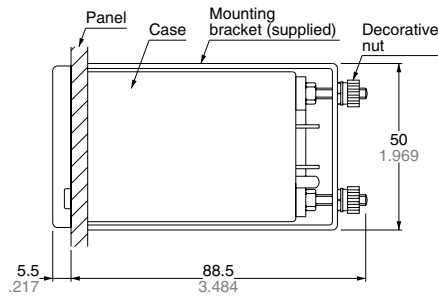


WIRING DIAGRAM



Panel mounting

mm inch



• **Panel cutout**

