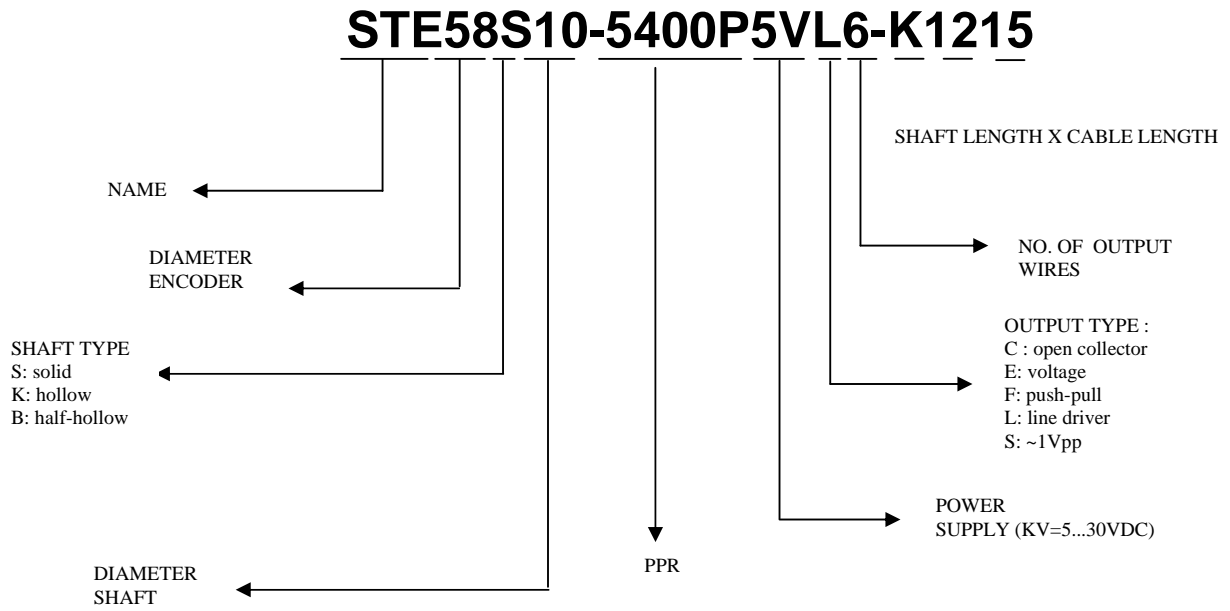


STE Encoders

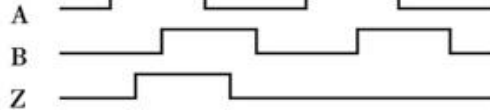
Selection chart



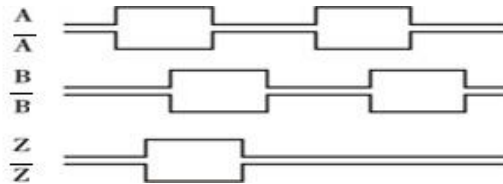
C: OPEN COLLECTOR

E: VOLTAGE

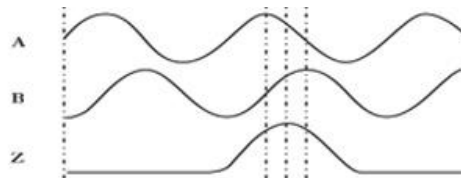
F: PUSH-PULL



L: LINE DRIVER



S: ~1Vpp



STE38S6



Technical parameters :

Supply voltage	DC5V	Temperature	-10grC ~ 70grC
Pulse per circle	8 ~ 2500P	Axle load (N)	Radial 30 / axial 20
Output model	Differential drive/voltage, Open collector, Push-pull, Line drive, PNP/NPN	Response frequency	200KHZ
Output signal	ABZ/ A'B'Z'	RPM	5000r/min

Connection diagram :

color	red	white	blue	green	yellow	gray	brown	black	GND
signal	DC	0V	A	B	Z	A/	B/	Z/	GND/

STE40S6



Technical parameters :

Supply voltage	DC5V/12V/24V	Temperature	-10grC ~ 70grC
Pulse per circle	8 ~ 2500P	Axle load (N)	Radial 60 / axial 40
Output model	Differential drive/voltage, Open collector, Push-pull, Line drive, PNP/NPN	Response frequency	200KHZ
Output signal	ABZ/ A'B'Z'	RPM	5000r/min

Connection diagram :

color	red	white	blue	green	yellow	gray	brown	black	GND
signal	DC	0V	A	B	Z	A/	B/	Z/	GND/

STE41



Technical parameters :

Supply voltage	DC5V/12V/24V	Temperature	-10grC ~ 70grC
Pulse per circle	8 ~ 2500P	Axle load (N)	Radial 60 / axial 40
Output model	Differential drive/voltage, Open collector, Push-pull, Line drive, PNP/NPN	Response frequency	200KHZ
Output signal	ABZ/ A'B'Z'	RPM	5000r/min

Connection diagram :

color	red	white	blue	green	yellow	gray	brown	black	GND
signal	DC	0V	A	B	Z	A/	B/	Z/	GND/

STE50S8



Technical parameters :

Supply voltage	DC5V/12V/24V	Temperature	-10grC ~ 70grC
Pulse per circle	8 ~ 3600P	Axle load (N)	Radial 100 / axial 50
Output model	Differential drive/voltage, Open collector, Push-pull, Line drive, PNP/NPN	Response frequency	200KHZ
Output signal	ABZ/ A'B'Z'	RPM	6000r/min

Connection diagram :

color	red	white	blue	green	yellow	gray	brown	black	GND
signal	DC	0V	A	B	Z	A/	B/	Z/	GND/

STE50B12



Technical parameters :

Supply voltage	DC5V/12V/24V	Temperature	-10grC ~ 70grC
Pulse voltage	8 ~ 3600P	Axle load (N)	Radial 100 / axial 50
Output model	Differential drive/voltage, Open collector, Push-pull, Line drive, PNP/NPN	Response frequency	200KHZ
Output signal	ABZ/ A'B'Z'	RPM	6000r/min

Connection diagram :

color	red	white	blue	green	yellow	gray	brown	black	GND
signal	DC	0V	A	B	Z	A/	B/	Z/	GND/

STE58S6



Technical parameters :

Supply voltage	DC5V/12V/24V	Temperature	-10grC ~ 70grC
Pulse per circle	8 ~ 5400P	Axle load (N)	Radial 60 / axial 40
Output model	Differential drive/voltage, Open collector, Push-pull, Line drive, PNP/NPN	Response frequency	150KHZ
Output signal	ABZ/ A'B'Z'	RPM	5000r/min

Connection diagram :

color	red	white	blue	green	yellow	gray	brown	black	GND
signal	DC	0V	A	B	Z	A/	B/	Z/	GND

STE58S8



Technical parameters :

Supply voltage	DC5V/12V/24V	Temperature	-10grC ~ 70grC
Pulse per circle	8 ~ 5400P	Axle load (N)	Radial 100 / axial 50
Output model	Differential drive/voltage, Open collector, Push-pull, Line drive, PNP/NPN	Response frequency	150KHZ
Output signal	ABZ/ A'B'Z'	RPM	5000r/min

Connection diagram :

color	red	white	blue	green	yellow	gray	brown	black	GND
signal	DC	0V	A	B	Z	A/	B/	Z/	GND/

STE58S10



Technical parameters :

Supply voltage	DC5V/12V/24V	Temperature	-10grC ~ 70grC
Pulse per circle	8 ~ 5400P	Axle load (N)	Radial 100 / axial 50
Output model	Differential drive/voltage, Open collector, Push-pull, Line drive, PNP/NPN	Response frequency	150KHZ
Output signal	ABZ/A'B'Z'	RPM	10000r/min

connection diagram :

DB-9 plug	1	2	3	4	5	6	7	8	9
color	red	yellow	green	white	blue	brown	gray	black	GND
signal	DC	Z	B	0V	A	B/	A/	Z/	GND/

STE66S15



Technical parameters :

Supply voltage	DC5V/12V/24V	Temperature	-10grC ~ 70grC
Pulse per circle	8 ~ 8192P	Axle load (N)	Radial 120 / axial 60
Output model	Differential drive/voltage, Open collector, Push-pull, Line drive, PNP/NPN	Response frequency	150KHZ
Output signal	ABZ/A'B'Z'	RPM	10000r/min

Connection diagram :

DB-10 plug	1	2	3	4	5	6	7	8	9	10
color	red	yellow	green	white	blue	brown	gray	black	GND	NC
signal	DC	Z	B	0V	A	B/	A/	Z/	GND/	NC

DC60C - Hand pulse generator

* Super-thin design, suitable for manual -controlled CNC machine tool.

* Thin type, light weight, excellent handle.

* Used for zero position correction of CNC machine tool and signal division.

SOLID TYPE ROTARY ENCODER

ELECTRICAL spec.

Output Wave	Square Wave
Power Supply	DC5-30V DC5V
MAX.Response	0KHZ-100KHZ
Current consumption	≤60mA

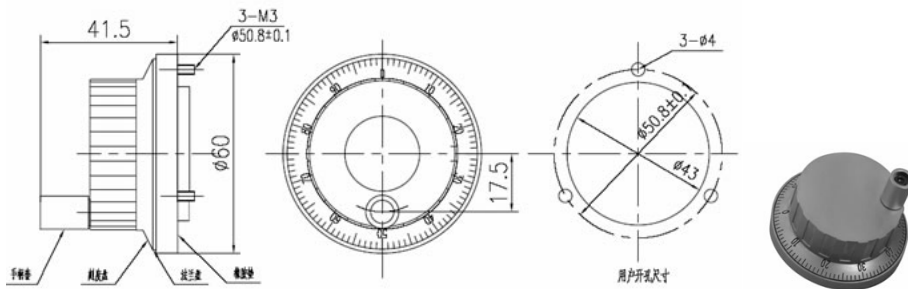
Mechanical spec.

The main material	Aluminum
Shell material	Aluminum
the axis diameter	42mm
Shaft loading	Axial : 20N Radial : 30N
Starting torque	≤70g.cm (+25grC)
MAX.SPEED	4000rpm
Vibration	≤100m/s ² (5 ~ 2000HZ)
Shock	≤1000m/s ² (11ms)
weight	≤0.3kg

Environmental spec

operating Temp	-10grC - 70grC
operating Humidity	30 ~ 85%RH
storage Temp	-30grC - 80grC
protection grade	IP50

outline drawing



STE elevator encoder



Technical parameters :

Supply voltage	DC5V/12V/24V	Temperature	-10grC ~ 70grC
Pulse per circle	1024P/2048P	Axle lode (N)	Radial 120 / axial 60
Output model	Differential drive/voltage, Open collector, Push-pull, Line drive, PNP/NPN	Response frequency	150KHZ
Output signal	ABZ/ A'B'Z'	RPM	5000r/min

Connection diagram :

color	red	white	blue	green	yellow	gray	brown	black	GND
signal	DC	0V	A	B	Z	A/	B/	Z/	GND/

TEX500 / TEX1000

Computer embroidery machine encoder



Technical parameters :

Supply voltage	DC5V	Temperature	- 10grC—70grC
Pulse per circle	500P or 1000P	Axle load (N)	Radial 60 / axial 40
Output model	Push-pull output	Response frequency	100KHz
Output signal	ABZ	RPM	5000r/min

Connection diagram :

color	red	white	blue	green	yellow	GND
signal	DC	0V	A	B	Z	GND

STE hosiery machine encoder



Technical paramnters :

Supply voltage	DC5V/12V/24V	Temperature	-10grC ~ 70grC
Pulse per circle	8 ~ 2500P	Axle load (N)	Radial 60 / axial 40
Output model	Differential drive/voltage, Open collector, Push-pull, Line drive, PNP/NPN	Response frequency	200KHZ
Output signal	ABZ/ A'B'Z'	RPM	3000r/min

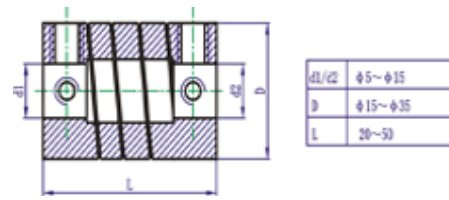
Connection diagram :

color	red	white	blue	green	yellow	gray	brown	black	GND
signal	DC	0V	A	B	Z	A/	B/	Z/	GND/

Flexible coupling

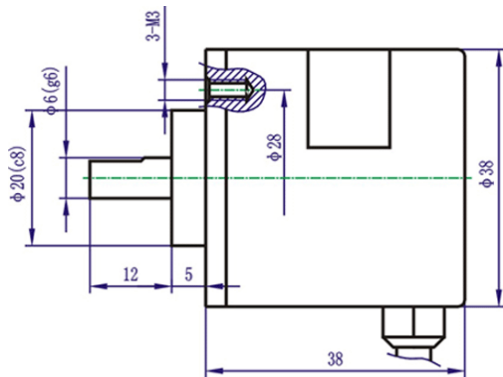


aluminum alloy stainless steel

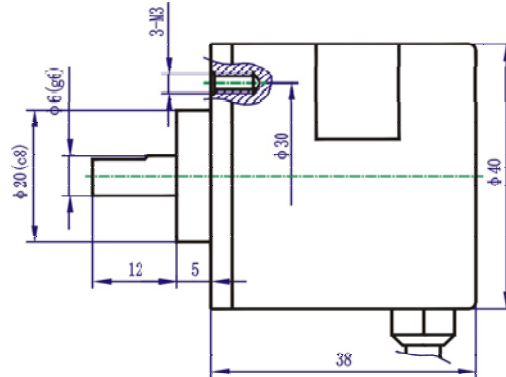


Aluminum alloy flake flexible coupling
65Mn Aluminum alloy flake flexible coupling

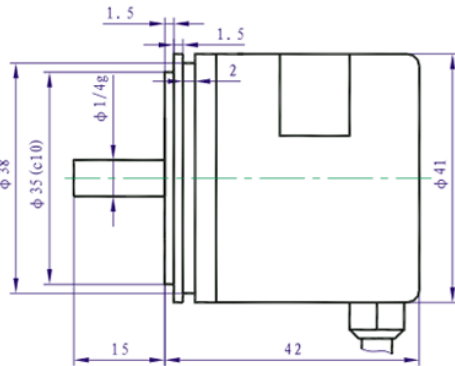
Dimensions:



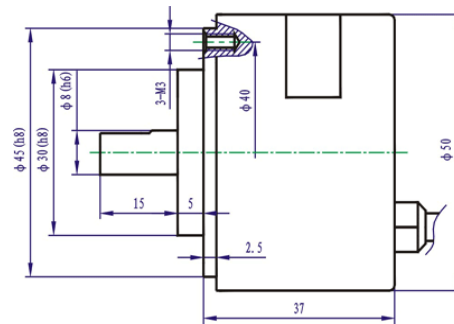
STE38S6



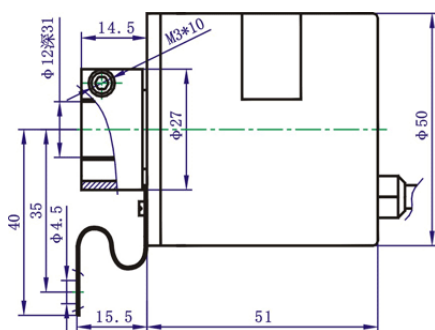
STE40S6



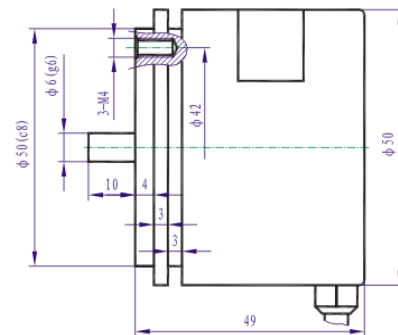
STE50S8



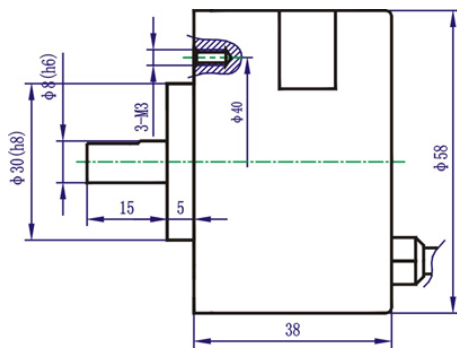
STE41



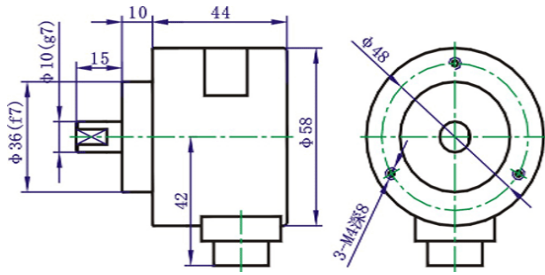
STE50B12



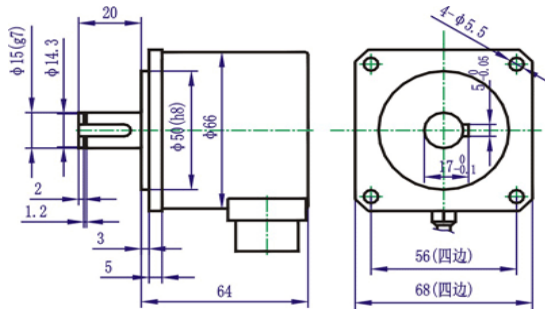
STE58S6



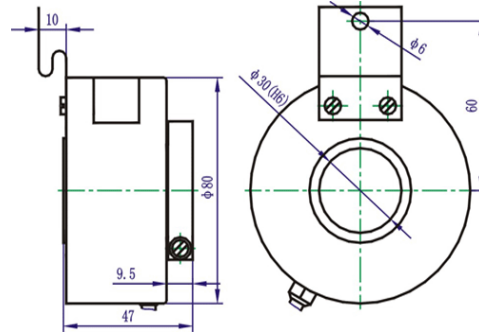
STE58S8



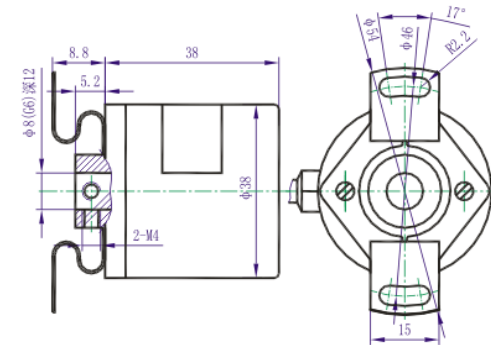
STE58S10



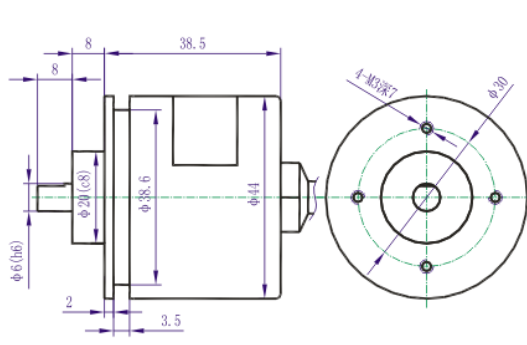
STE66S15



STE elevator encoder



TEX500 / TEX1000



STE hosiery machine encoder