

# CS-PT500 Series of Differential Pressure Transmitter

Piezo-resistance diffuse silicon differential pressure transmitter

- |   |  |
|---|--|
| ☆ Accuracy: $\pm 0.25$ 、 $\pm 0.5\%$ F.S                        | Applications :                               |
| ☆ OEM   | ☆ flow measurement                           |
| ☆ Diffused silicon sensor                                       | ☆ sewage treatment                           |
| ☆ Multiple measurement ranges and<br>Signal outputs             | ☆ wind differential pressure under coal-mine |
| ☆ Various outsides and inside screw<br>Installation             | ☆ Hydroelectric station waterhead            |
| ☆ Non-polarity two-wire current output                          | ☆ Urban flood proof & drainage               |
| ☆ Vdc/ac voltage output   | ☆ Underwater project                         |
| ☆ Intrinsic safety certification                                | ☆ Underground water monitoring               |
| explosion proof certification                                   | ☆ Water-save irrigation                      |
| CE certification  |  |
| Powerful electromagnetic interference proof and lightning proof |  |



## Description

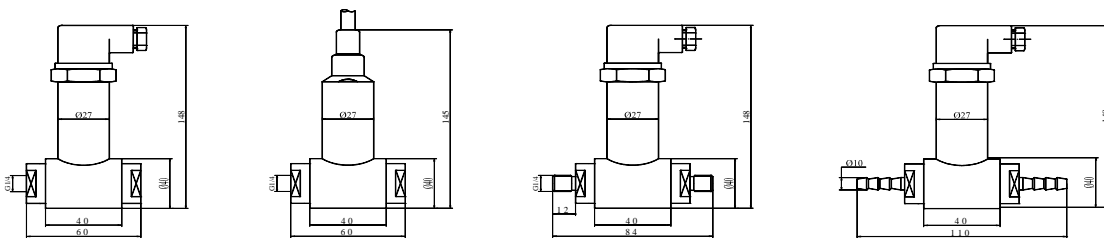
CS-PT500/500T series is a high reliability, high stability and high accuracy differential pressure transmitter by our R& D Dept recent years research. Widely used in liquid , gas differential pressure measurement, such as water, oil, mild corrosive liquid.

This product adopt 1Cr18Ni9Ti stainless steel. The imported oil-filled differential pressure core, special amplifier and V/I convertor to switch circuit ensure resistance to high voltage, current and magnetic field and non-polarity leads.

This product has got intrinsic safety certification, explosion proof certification and CE certification.

This product can made programme calibration on request according to on-site environment.

The lead of two-wire circumfluent is no-polarity, but the three-wire voltage output is Vdc / ac.



First class designs, first class quality, and first class services are our commitment

[www.electrozep.ro](http://www.electrozep.ro)

## CS-PT500 Series of Differential Pressure Transmitter

### Technical data

Name	Data			Remark
Measurement range	±5kPa...±5000kPa			
Overload pressure	1.5 times rated pressure			
Pipeline static pressure	3、5、10 times rated pressure, 20MPa			
Accuracy	±0.1%F.S, ±0.25%F.S, ±0.5%F.S			
Stability	Typical value: 0.1%F.S, Maximum value : 0.2%F.S			
Operation temperature	-40℃~85℃			
Offset temperature	-10℃~70℃			
Medium compatibility	All corrosive medium compatible with 1Cr18Ni9Ti and 316L			
Electrics feature	Two-wire type	Three-wire type		
Signal output	4~20mA	0~5V	0~10V	
Power supply	10~36Vdc	10~36Vdc/ac	12~36Vdc/ac	Vdc/ac means both use dc and ac
Load resistance	(U-10)/0.02(Ω)	>100kΩ		
insulate	>100M Ω@50V			
Electrics connector	Waterproof lead with fixed cover , protection rank: IP68; Connector; DIN43650, shell protection: IP65			
Pressure junction	Outside & inside: G1/4; hose connection: RG=Ø8, air tap			
Response time	10ms			
Pressure form	Differential pressure			
Certification	Explosion certification, CE certification			
Electromagnetic compatibility	Electromagnetic radiation: EN50081-1/-2; Electromagnetic sensitivity: EN50082-2;			
Lightning proof	Air-conduction pressure : 8000V, Shell & cable conduction pressure: 4000V			Customized services available according to request.

Electrical Connection				
End No	2 Wires	Cable Color	3 wires	Cable color
1	Power	Red	Power	Red
2	Output	Blue/Green	Ground	Black
3			Output	Blue/Green
GND	screen	Yellow	Screen	Yellow

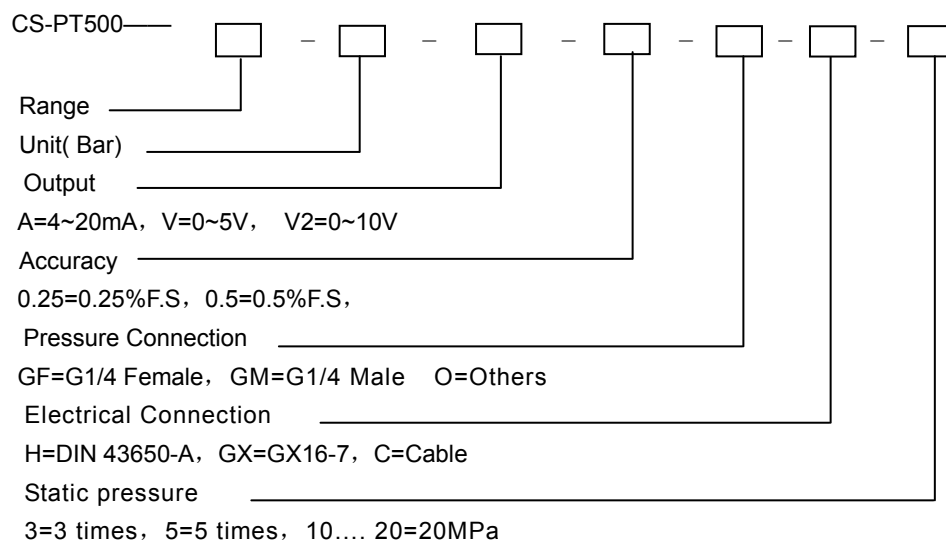
Output Modes	
2 wires	4 to 20 mA
3 wires	0 to 5V, 0.5 to 4.5V, 0 to 10V, 0/4 to 10/20 mA

First class designs, first class quality, and first class services are our commitment

**www.electrozep.ro**

# CS-PT500 Series of Differential Pressure Transmitter

## Order Details



First class designs, first class quality, and first class services are our commitment

**[www.electrozep.ro](http://www.electrozep.ro)**